

## Product introduction...

These framed chalkboards are available in two options (in various sizes)...

1. Stained frame with 3mm thick panel, for indoor use.
2. Stained and lacquered frame with 6mm thick MR panel, for outdoor use or premium indoor use.

Both can be used as single or double sided units with a chalk surface to both faces.

All frames come with a fixing kit (shown below) for convenience. But, final fixing/mounting method should be determined by the installer. It is recommended that a risk assessment is conducted prior to installation.

## Using and cleaning the installed product...

For best results use chalk markers (e.g. Rainbow liquid chalk pens) which can be cleaned using Mr Muscle window & glass cleaner or equivalent (avoid use of abrasives).

Traditional chalk can also be used which can be removed with water and a cloth.

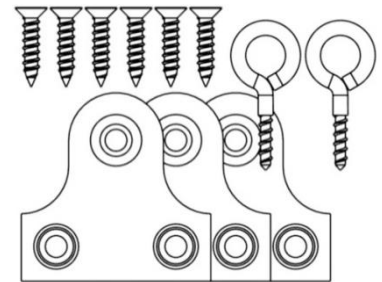
**Important: cleaning fluids may damage frame coatings – avoid contact and if contact occurs wipe with a damp cloth immediately.**

For indoor use frames please clean with a dry or damp cloth only. For outdoor/premium frames a mild detergent can also be used (avoid abrasives).

### Fixing kit...

- 3x frame plates
- 6x screws (for plate to frame attachment)
- 2x screw eyes (for hanging)

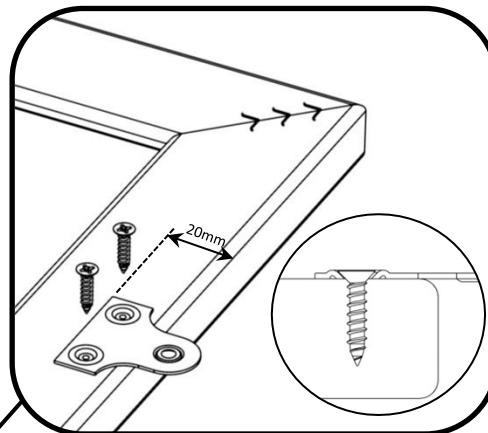
**Note:** fixings for securing the product (wall mounting or hanging) have not been provided as substrate-appropriate fixings should be sourced by the installer.



### Fixing kit assembly...

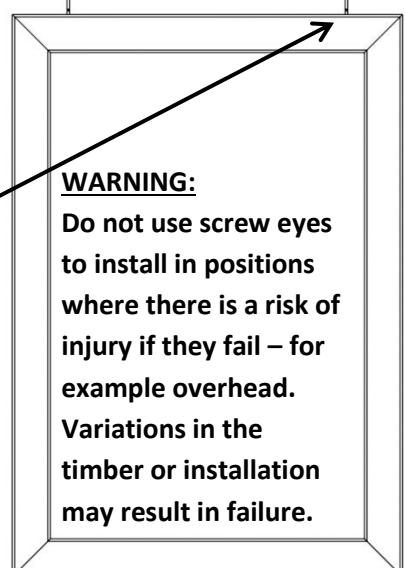
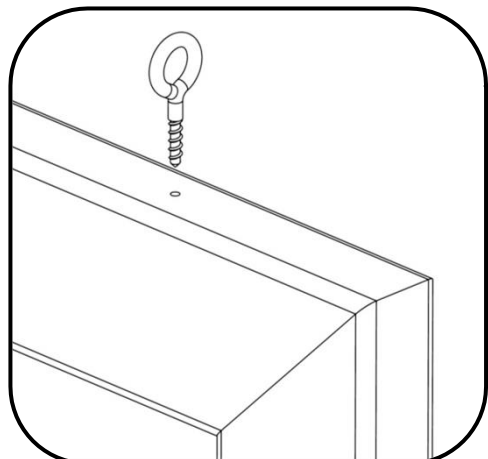
**Frame plates** can be positioned according to the below diagram.

The screws provided can be installed without pilot holes, yet 1.5mm dia. pilot holes will assist.



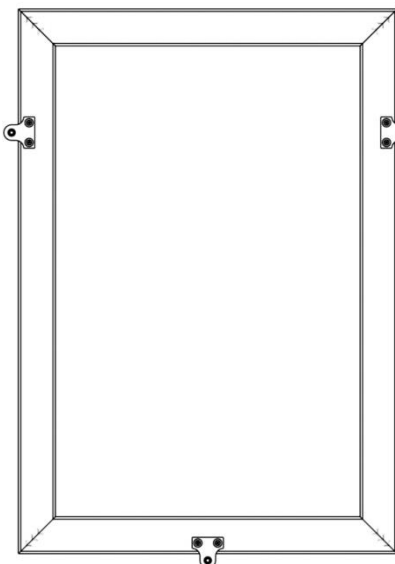
**Screw eyes** can be used for suspending this product. They can be positioned according to the below diagram.

1.5mm dia. pilot holes are recommended to install these.



### WARNING:

**Do not use screw eyes to install in positions where there is a risk of injury if they fail – for example overhead. Variations in the timber or installation may result in failure.**



# **FIXING KIT AND USER INSTRUCTIONS INSIDE**